



INSTALLATION MANUAL



INSTALLATION INSTRUCTIONS (Plumbing)

The following instructions are to enable the proper installation of the ECONOCYCLE AWTS unit. It is necessary to follow these instructions so you don't void any warranties. Please ensure you have council permits/ approvals before installation of tank.

Please give minimum of one week's notice for your ECONOCYCLE AWTS, more notice is appreciated to ensure truck availability.

Risers, if required, should be ordered with ECONOCYCLE before delivery of the unit. If ordered separately, delays and additional delivery charges will be incurred. (Risers raise top of tank if there are drainage issues).

All deliveries are C.O.D payments and are to be given to the driver before unloading, unless other arrangements have been made.

When excavating the hole for the tank/s please ensure the excavation size is correct (if you have any doubt please contact your ECONOCYCLE representative). Absolutely free access to the excavation and the area for the truck is critical. The truck must be able to get within 1 metre of the tank excavation and the area for the truck to unload must be firm ground and less than 5% grade. The driver's judgement of the safe unloading and accessibility is final. Failure to comply will incur additional installation costs at your expense.

Ensure that the excavation has a level base. The base of the hole is determined by the height of the inlet pipe (this will also determine the overall height of the tanks/s). The base must be firm and be on a 50mm bed of sand or similar material. Failure to do so will void any tank warranty.

Backfill the tank/s with clean backfill free of large loads, sharp objects and rubbish, then fill tank/s with clean water immediately. This is best done with a hose. For plastic tanks fill pump out chamber first.

All plumbing and electrical connections must be carried out by licensed contractors in accordance with any government guidelines or council requirements.

Model ENP10-2 (plastic twin tank system) must also follow additional instructions supplied with the unit on delivery. These additional instructions include "ground anchors".

INSTALLATION INSTRUCTIONS (CONT)

CANCELLATION

If you wish to cancel a delivery, you must do so by 1:00pm the day preceding the delivery.

CANCELLATION DUE TO OVERNIGHT RAIN

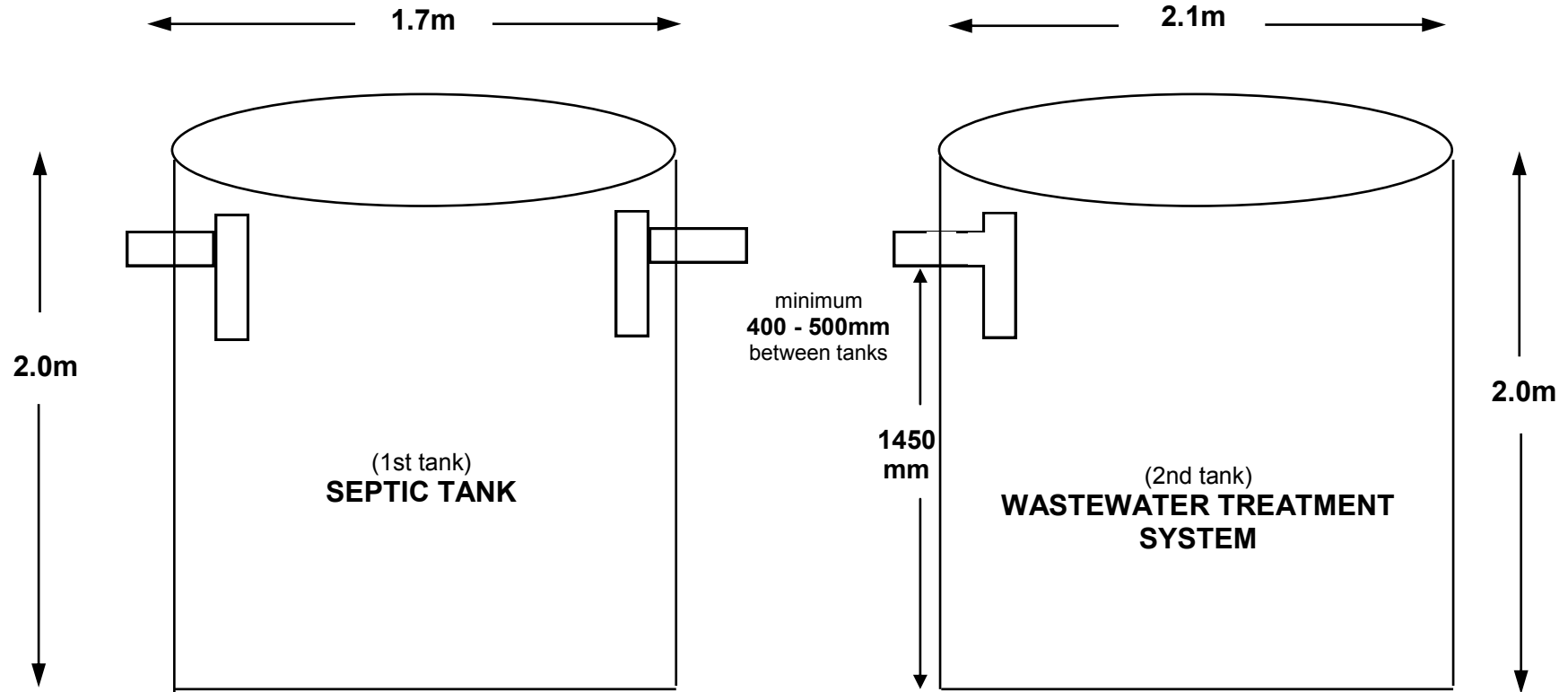
If a site contact person and phone number has been provided by you we will try to contact that person/s between 5:30 – 8:00 am to ensure the delivery is still required. ECONOCYCLE cannot accept any responsibility for failure to contact your site person/s nominated. Late notice of cancellation will incur an UNLOADING FEE or return to site cost or crane costs to your account.

WHEN YOU ARE READY TO USE YOUR ECONOCYCLE AWTS

When the ECONOCYCLE is ready to be used, contact your representative and notify them that you are ready for the unit to be commissioned. Please give at least one weeks notice. Please ensure that the plumbing and electrical have been connected and are operational. This commissioning involves the fitting of the irrigation and aeration pumps and the laying out of the irrigation line. It is advisable that the owner / occupier is onsite at this stage to ask any questions you may have on operations of the ECONOCYCLE AWTS. Your quarterly service will begin 2-3 months following commissioning. If prior arrangements have to be made to gain access please notify your ECONOCYCLE agent of all your details including work numbers.

PLEASE NOTE – Follow instructions carefully so you do not void your warranty.

ECONOCYCLE ENC10-2 TANK DIMENSIONS



SEPTIC TANK HOLE

2.0 metres deep x 1.7 metres in diameter

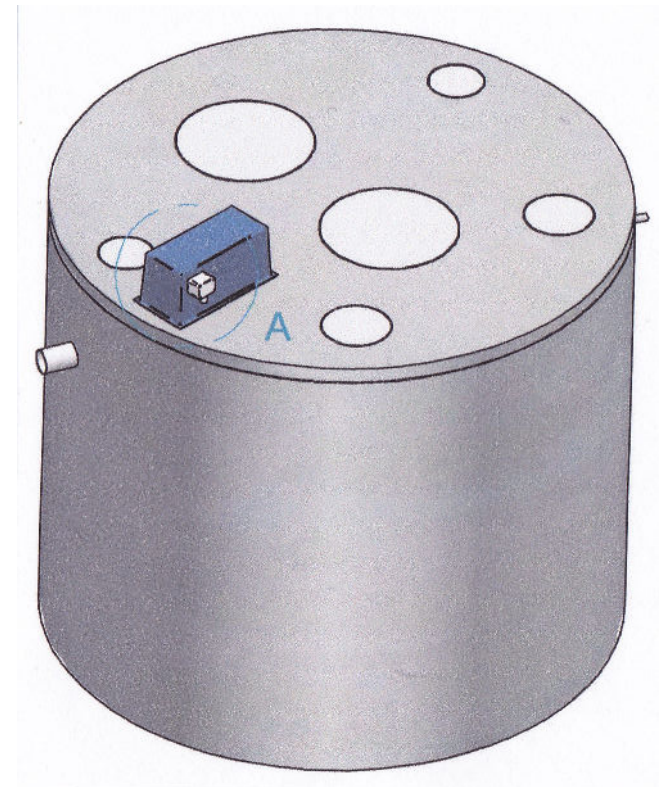
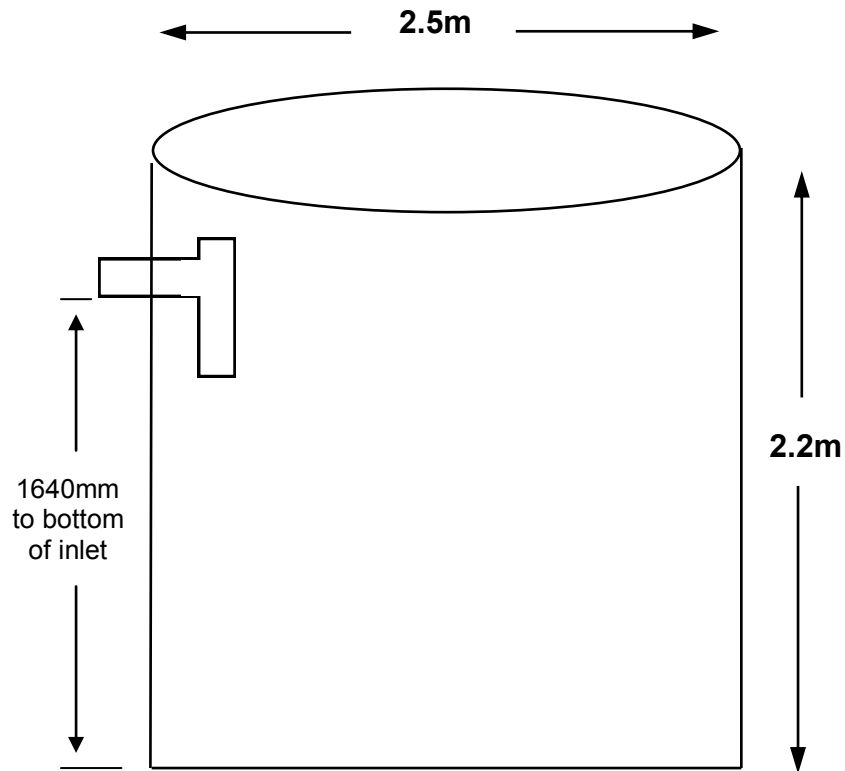
TREATMENT TANK HOLE

2.0 metres deep x 2.1 metres in diameter

OVERALL DIMENSIONS

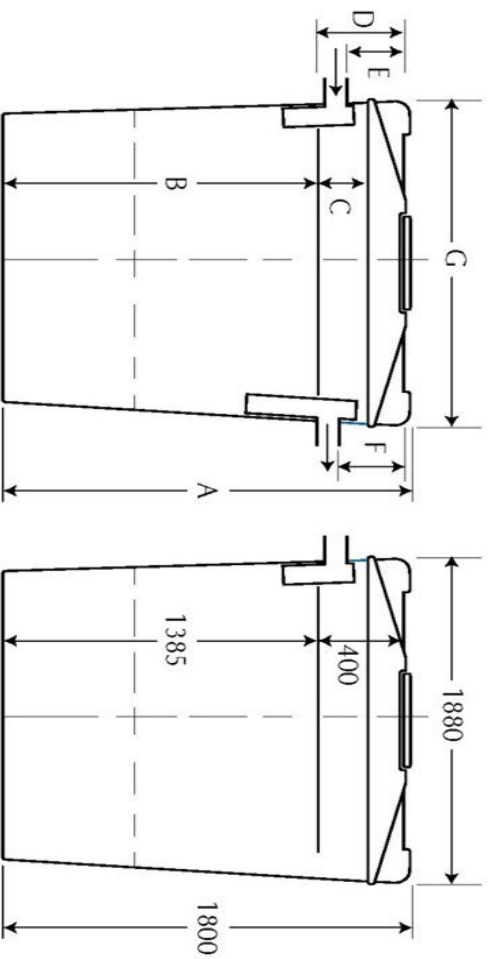
4.3m long x 2.1m wide x 2m deep

ECONOCYCLE ENC10-1 TANK DIMENSIONS



PLEASE ALLOW 400mm EACH SIDE TO REMOVE LIFTING LUGS

EXCAVATION DIMENSIONS TWIN TANK POLY - MODEL ENP 10-2



BEDDING SHOULD BE ON A SOLID BASE WITH 50MM GRAVEL OR SAND FOR LEVELING

ALL PIPE WORK MUST BE SECURELY SUPPORTED

EACH ECONOCYCLE TANK	DIMENSIONS
TANK CAPACITY	3000l <i>(400mm air space)</i>
A. Overall tank height	1800mm
B. Liquid depth (base to invert of outlet)	1385mm
C. Tank rim to invert of outlet	225mm
D. Under roof to invert of outlet	400mm
E. Maximum cover to inlet pipe	250mm
F. Maximum cover to outlet pipe	300mm
G. Diameter - Top	1880mm
Weight inc. partition (kg) SEPTIC	132kg
Weight inc. treatment processor	210kg

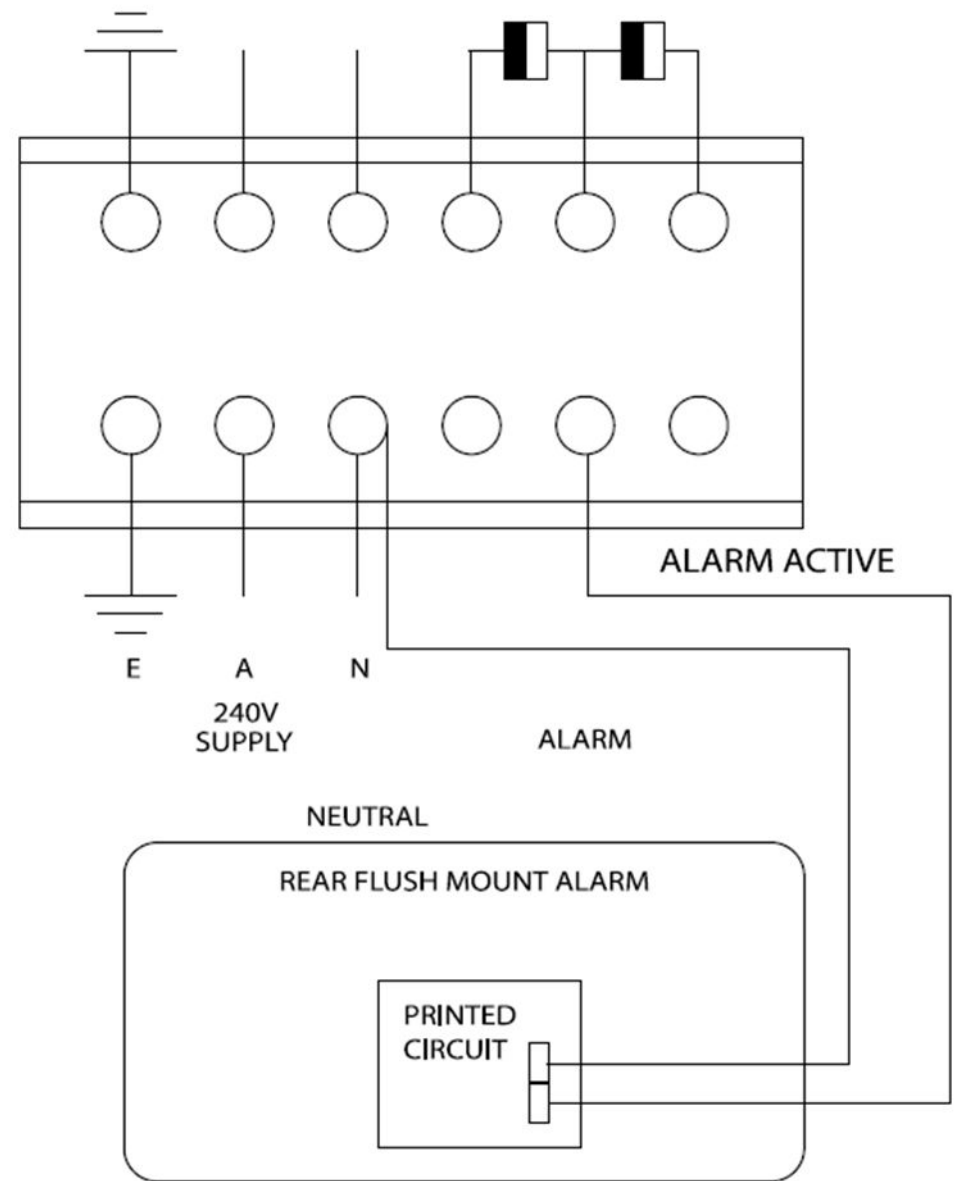
PLEASE NOTE: Please ensure that a minimum of 50mm of tank plus manhole lids are above ground.

ECONOCYCLE ENP10-2 TANK DIMENSIONS



ELECTRICAL CIRCUIT DETAILS

All electrical work must be performed by a licensed electrical contractor in accordance with the S.A.A. wiring rules, (A.S 3000) and the relevant local supply authority's rules.



CONTACT DETAILS

TASMANIAN AGENT

Wastewater Treatment Systems Tasmania

490 Arthur Hwy

Sorell 7172

Phone: 03.62651564

Fax: 03.62653500

Email: wtst@iprimus.com.au

www.wtst.com.au

www.econocycle.com.au